

MIT OpenCourseWare  
<http://ocw.mit.edu>

4.500 Introduction to Design Computing  
Fall 2008

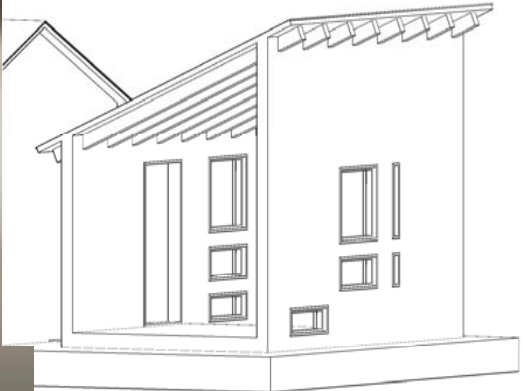
For information about citing these materials or our Terms of Use, visit: <http://ocw.mit.edu/terms>.

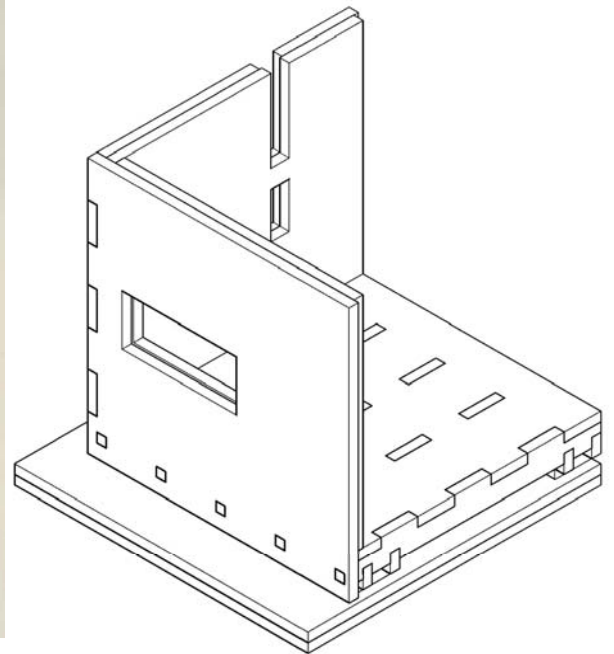
# Concord River Writer's Cabin

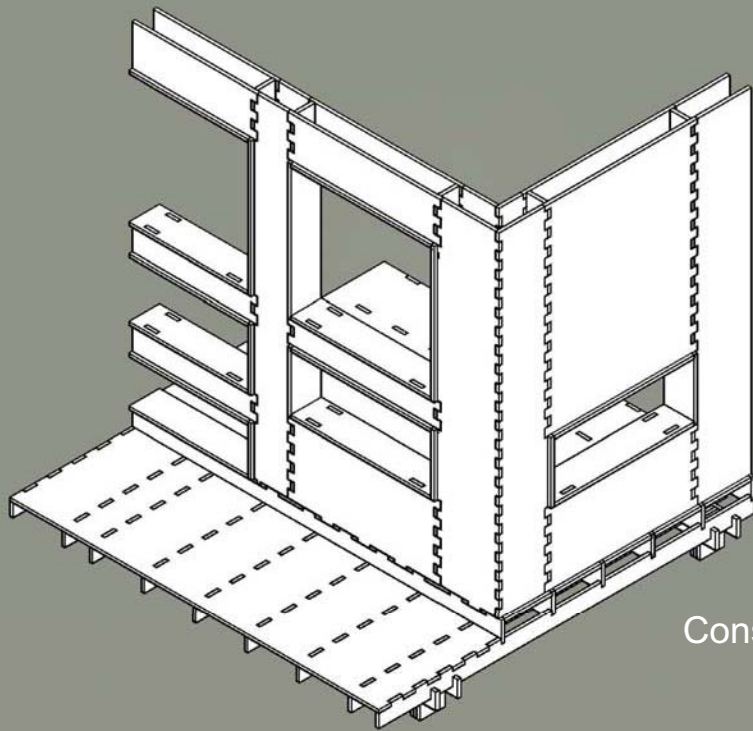




Form Study: 3D-Print

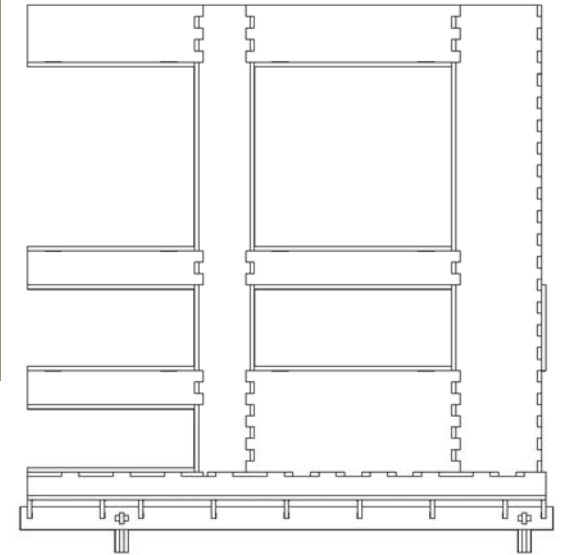


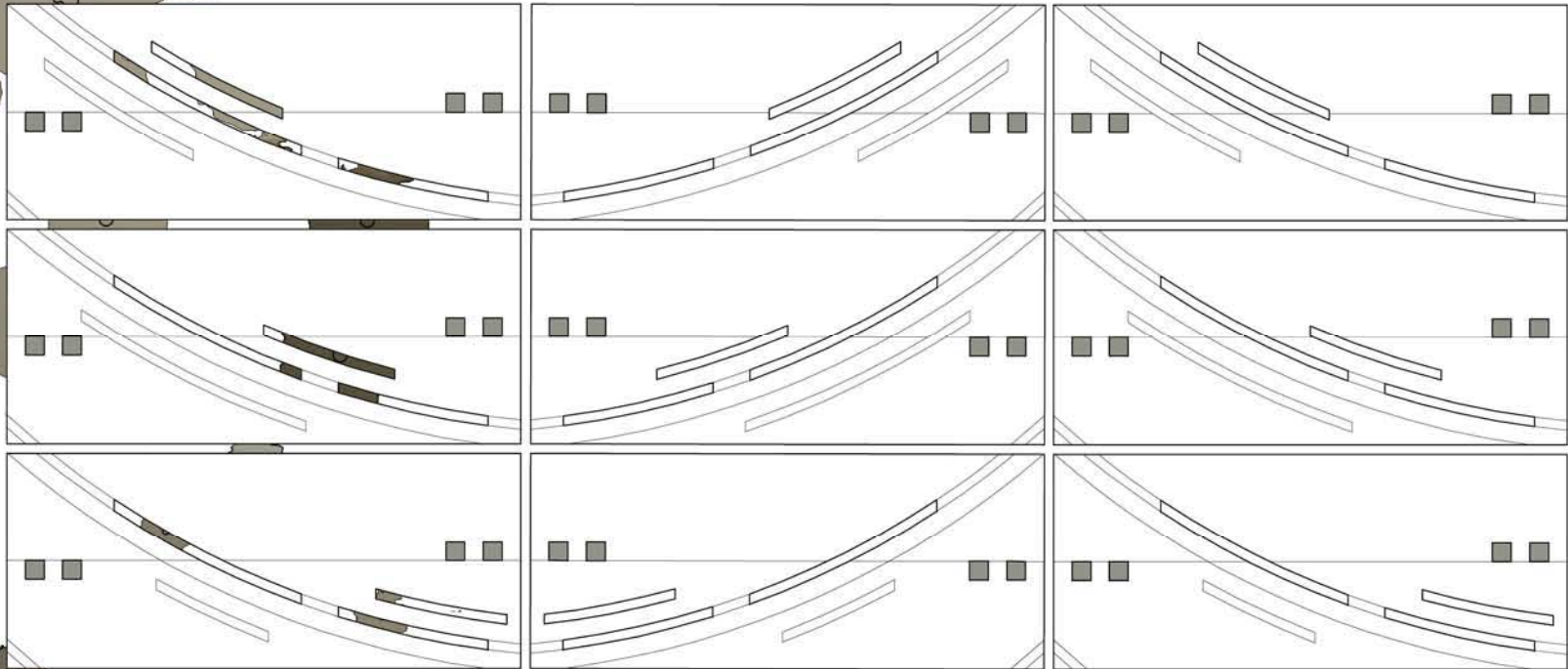
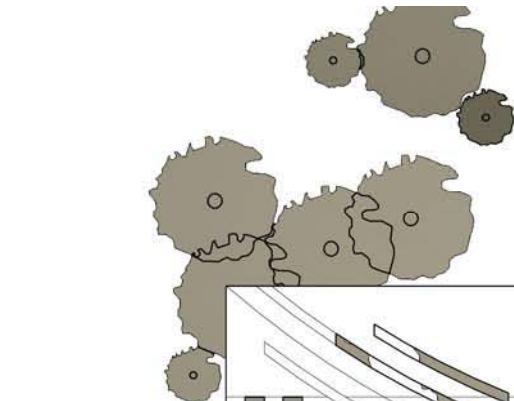




Construction Study II

Vertical studs  
Interlocking panels





## Rain Screen Design

Motif inspired by nature

Channels rain water

