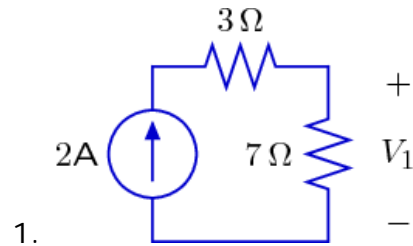


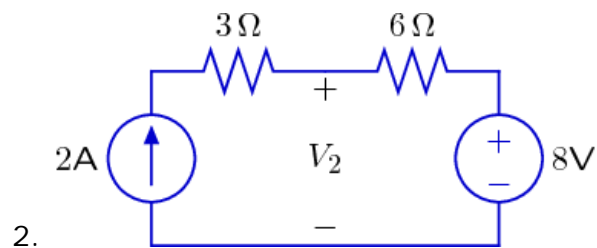
## Problem Wk.8.3.4: Volatges

Find the value of the indicated voltage or current in each of the following circuits.

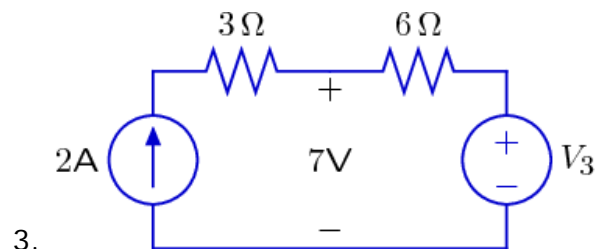
Your answers should be numbers. You will get credit if your answer is within 0.1 volts/amps of the correct answer.



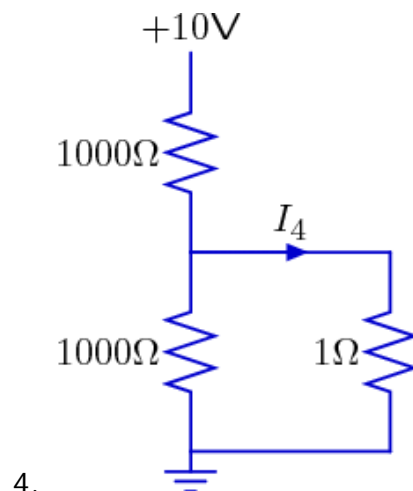
$V_1 =$   volts



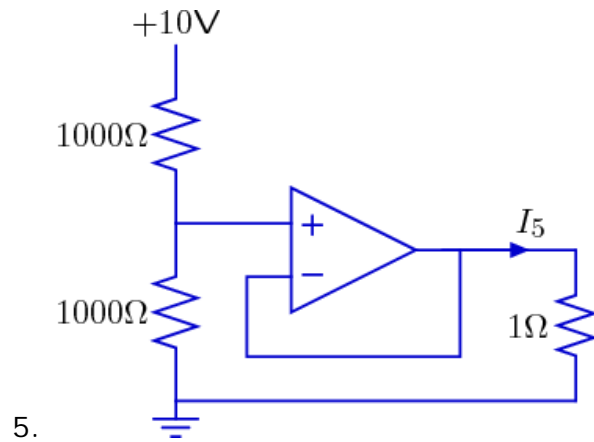
$V_2 =$   volts



$V_3 =$   volts



$I_4 =$   amps



5.

Hint: what is the voltage on the output of the op-amp?

$I_5 =$   amps

MIT OpenCourseWare  
<http://ocw.mit.edu>

6.01SC Introduction to Electrical Engineering and Computer Science  
Spring 2011

For information about citing these materials or our Terms of Use, visit: <http://ocw.mit.edu/terms>.