



# Evolution of RFID Systems

Peter H Cole

Adelaide Auto-ID Laboratory



# Objectives



- **Title is to capture notions of**
- **How RFID systems have evolved under constraints**
- **How they might evolve under research**
- **If desired, some details of research at Adelaide**



# Topics



- RFID regulations
- Antenna issues
- Propagation studies
- Protocol issues
- Higher functionality tags
- Signalling waveform design
- Security and authentication



# RFID regulations



- Regulators
  - ITU Regions
  - JFCC, EN, Other national bodies
- Usage of radio spectrum and bands
- Regulatory standards
  - ISO ETSI
- Australia experimental licence
- Listen before talk regulations
- Synchronisation



# Antenna issues



- Electromagnetic theory
- Coupling calculations
- Bode Fano Limit
- Antennas for dual frequencies
- Antenna size and frequency constraints
- Antennas in or near metal
- A small antenna example.



# Propagation studies



- Electromagnetic theory
- Near and Far fields
- Near and far field coupling theories
- Some fundamental constraints
- Dense RFID reader studies.



# Protocol issues



- Concept of a protocol
- Tag talks first and reader talks first protocols
- Constraints on protocols
  - **UHF signalling**
  - **HF signalling**
- Adaptive round concepts
- EPCglobal C1G2 protocol
- Approaches to advanced HF protocols
  - **Can HF sustain heavy signalling?**
  - **Ways it might**

# → Higher functionality tags



- Autonomously networking tags
- Merging of EAS and data tags
- Trigger circuits for battery tags
  - **Low power approach**
    - Issues and experiments
  - **Zero power approach**
    - Application to theft detection





# Security and Authentication



- Methods for providing security
- Levels of security
- Burdens on chip design
- Burdens on signalling systems



# Overview of Adelaide research



- Personnel
- Classification of projects
- Detector research
- Data logging reader research
- Dense reader environment research
- Privacy and security research
- Trigger circuit research
- Publications



# Antenna Issues

Peter H Cole  
Adelaide Auto-ID Laboratory



# Outline



- **Electromagnetic theory**
- **How antennas work (approximately)**
- **Near and far fields**
- **Near and far field coupling theories**
- **Significant conclusions about performance**
- **Bode-Fano limit for efficiency**
- **Some simple tag designs**

# → | Laws in differential form



$$\nabla \times \mathbf{E} = - \frac{\partial \mathbf{B}}{\partial t}$$

$$\nabla \times \mathbf{H} = \mathbf{J} + \frac{\partial \mathbf{D}}{\partial t}$$

$$\nabla \cdot \mathbf{D} = \rho$$

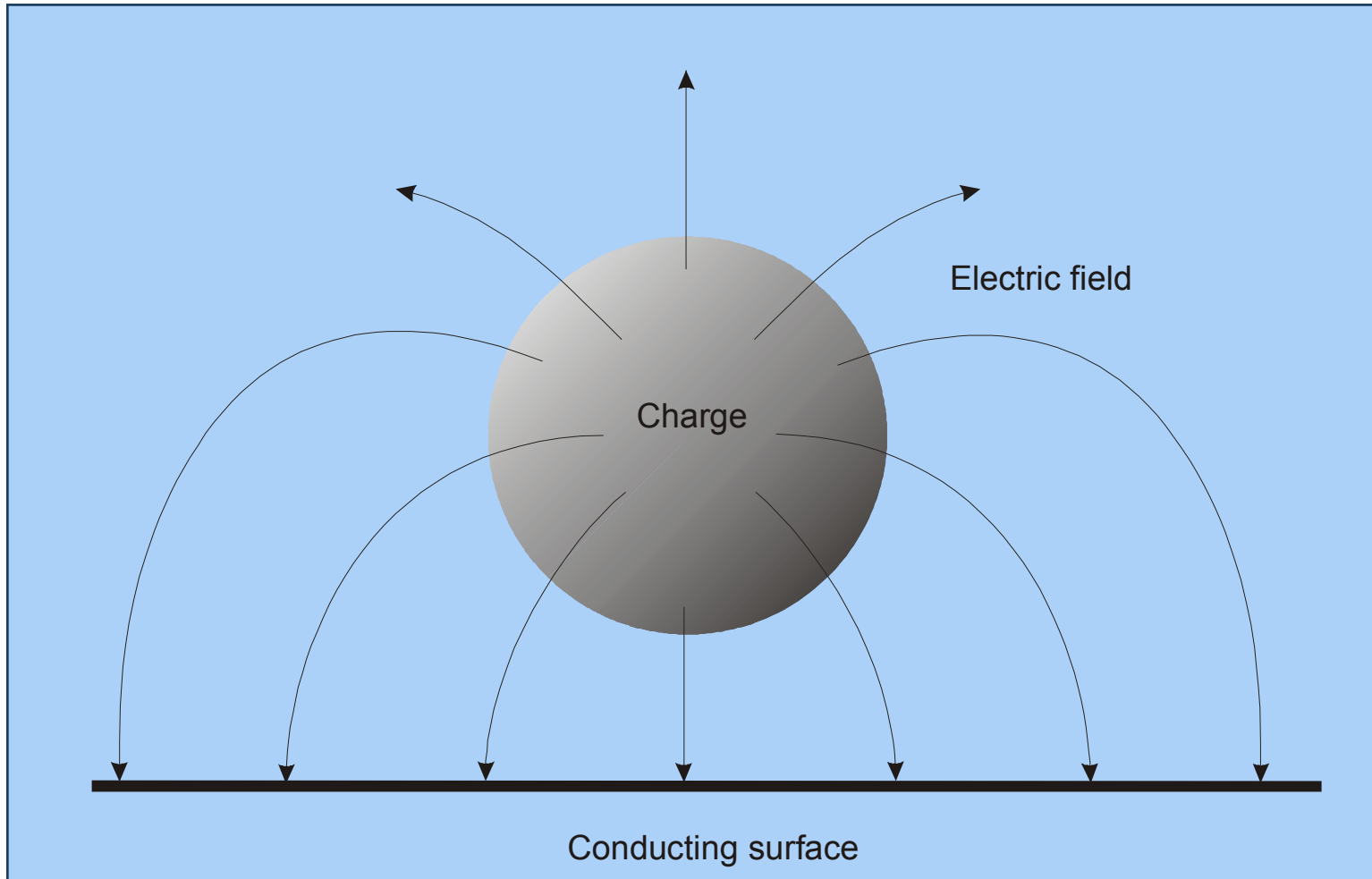
$$\nabla \cdot \mathbf{B} = 0$$

Vortex

Source

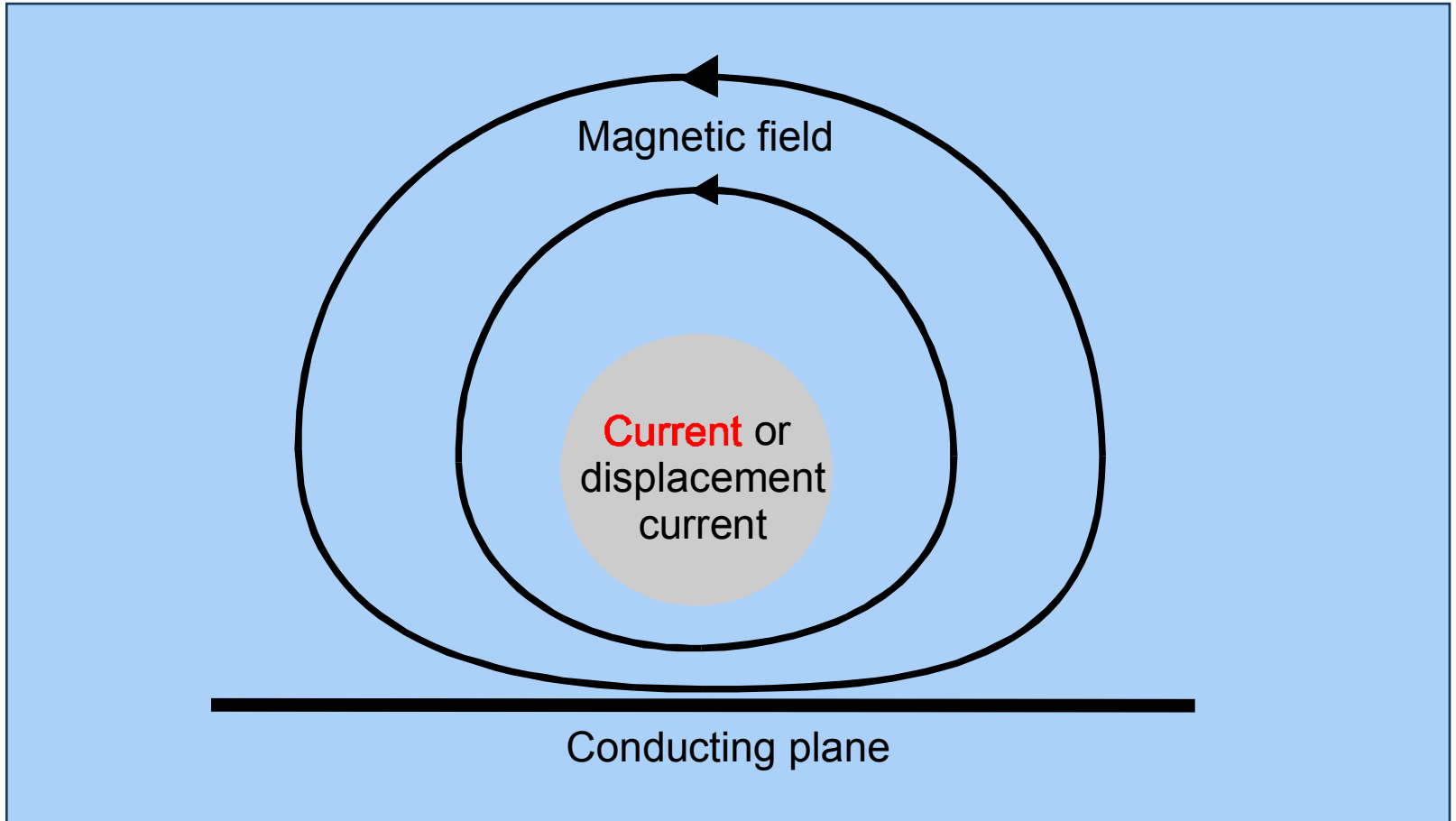


# Boundary Condition: electric field





# Boundary Condition: magnetic field



# → The basic laws: how they work

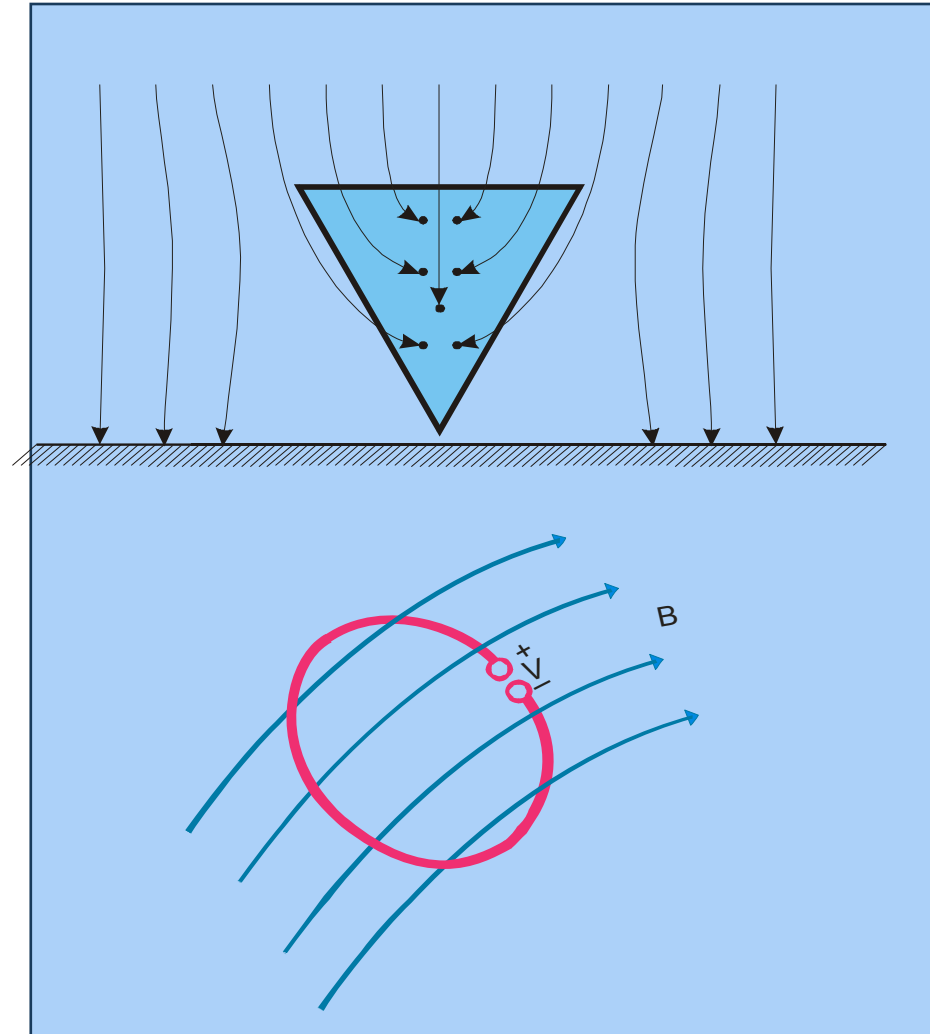


- **Gauss's law**

- Electric flux deposits charge
- Electric field cannot just go past a conductor, it must turn and meet it at right angles

- **Faraday's law**

- Oscillating magnetic flux induces voltage in a loop that it links







# Fields of a Magnetic Dipole

(oh dear)



$$H_r = \frac{j\beta^3 M}{4\pi} \left( \frac{2}{(\beta r)^2} - \frac{2j}{(\beta r)^3} \right) e^{-j\beta r} \cos \theta$$

$$H_\theta = \frac{j\beta^3 M}{4\pi} \left( \frac{j}{(\beta r)} + \frac{1}{(\beta r)^2} - \frac{j}{(\beta r)^3} \right) e^{-j\beta r} \sin \theta$$

$$E_\phi = \frac{j\beta^3 M}{4\pi} \left( \frac{j}{(\beta r)} + \frac{1}{(\beta r)^2} \right) e^{-j\beta r} \sin \theta$$

# → Near and far field coupling theories



- **Common feature: a label driving field is created, how much signal can be extracted?**
- **In the near field of the interrogator, the driving field is mostly energy storage, and the amount radiated does not affect the coupling, but does affect the EMC regulator.**
- **Various techniques to create energy storage without radiating are then applicable.**
- **Some theorems on optimum antenna size are of interest.**
- **In the far field of the interrogator, the relation between what is coupled to and what is regulated is more direct, and such techniques are not applicable.**

# → Far field coupling theory



$$P_r = A_{er} \times \text{Power flow per unit area}$$

$$\text{Power flow per unit area} = \frac{g_t P_t}{4\pi r^2}$$

$$A_{er} = \frac{g_r \lambda^2}{4\pi}$$

$$P_r = S_r A_e = \frac{g \lambda^2}{4\pi} S_r$$

$$\frac{P_r}{P_t} = g_r g_t \left( \frac{\lambda}{4\pi r} \right)^2$$

# → Near field coupling theory



$$V_c = \frac{[\text{Reactive power flowing in the untuned label coil when it is short circuited}]}{[\text{Volume density of reactive power created by the interrogator at the label position}]}$$

$$V_d = \frac{[\text{Reactive power flowing in the inductor of the interrogator field creation coil}]}{[\text{Volume density of reactive power created by the interrogator at the label position}]}$$

$$\frac{P_2}{P_1} = \frac{V_c}{V_d} Q_1 Q_2$$

In the far field

$$W_v = \beta S_r$$

# → Significant conclusions



- **Coupling volumes for well shaped planar electric and magnetic field labels are size dependent and similar**

$$\text{Magnetic } V_c = \frac{L^3}{2} \qquad \text{Electric } V_c = \frac{2L^3}{3}$$

- **Radiation quality factors for both types of label formed within a square of side L are size dependent and similar**

$$\text{Magnetic } Q_r = \frac{40}{(\beta L)^3} \qquad \text{Electric } Q_r = \frac{13}{(\beta L)^3}$$

- **These are calculated results for sensibly shaped antennas**



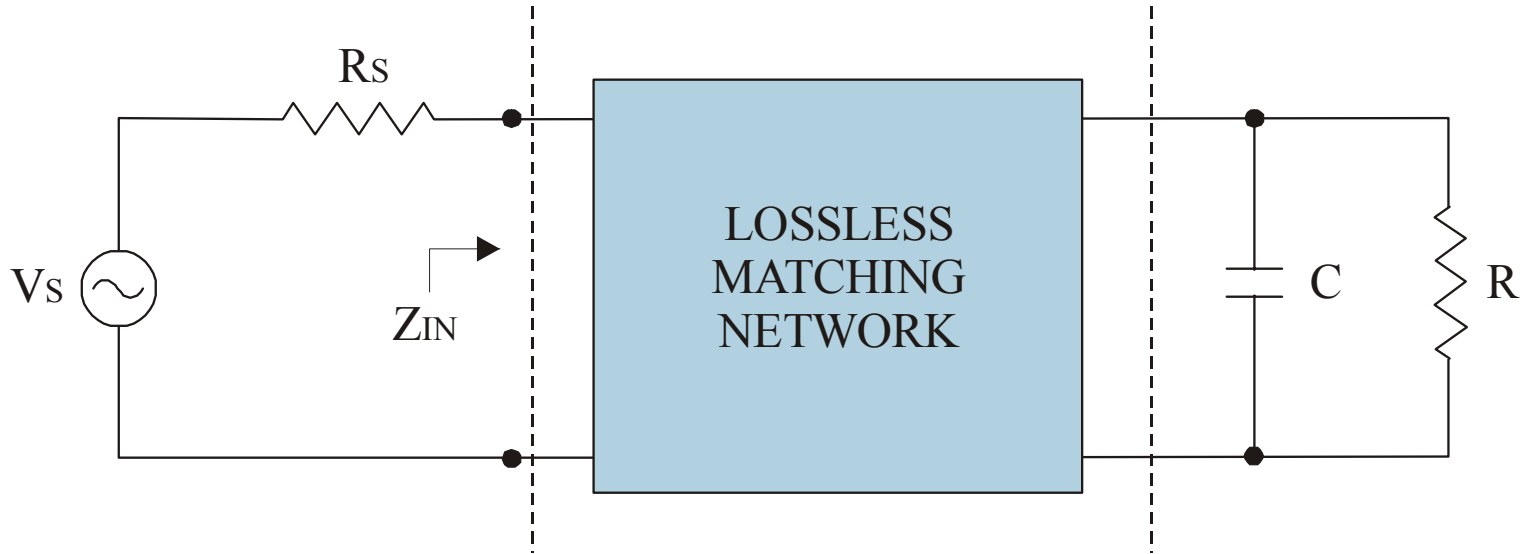
# Optimum operating frequency



*The optimum frequency for operation of an RFID system in the far field is the lowest frequency for which a reasonable match to the radiation resistance of the label antenna can be achieved, at the allowed size of label, without the label or matching element losses intruding.*



# Bode-Fano Limit

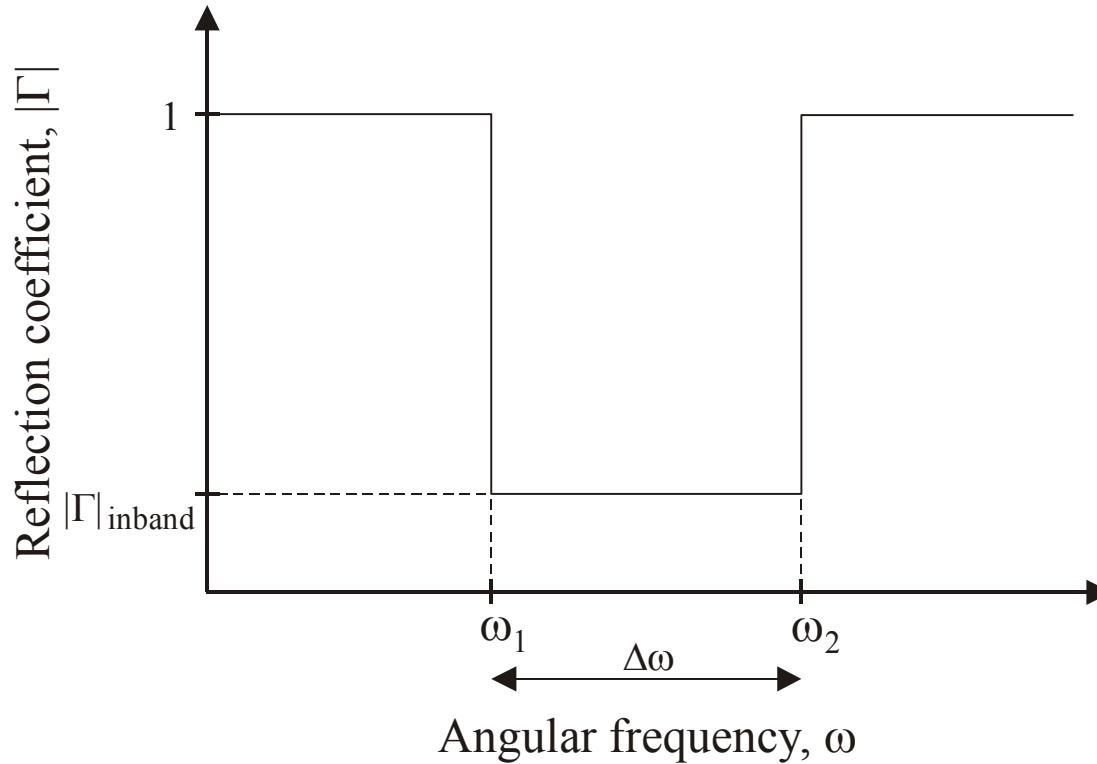


$$\int_0^{\infty} \ln \frac{1}{|\Gamma|} d\omega \leq \frac{\pi}{RC}$$





# Bode-Fano Limit (cont)



$$|\Gamma|_{\text{inband}} \geq e^{-\frac{1}{2\Delta fRC}}$$

# → Bode-Fano Limit (cont)



- **Allocated bandwidths for RFID:**

Country	Frequency in MHz		Bandwidth in MHz
	Begin	End	
European countries	865	868	3
USA	902	928	26
Japan	950	956	6

- **Others:**

China: **917 – 922 MHz** (Temporary license can be applied)

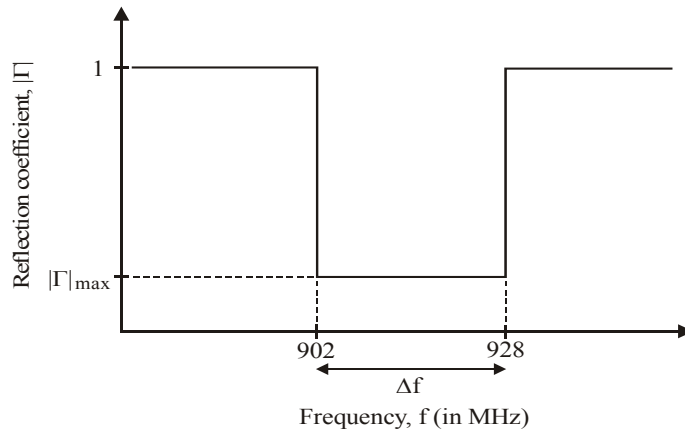
Australia: **918 – 926 MHz**



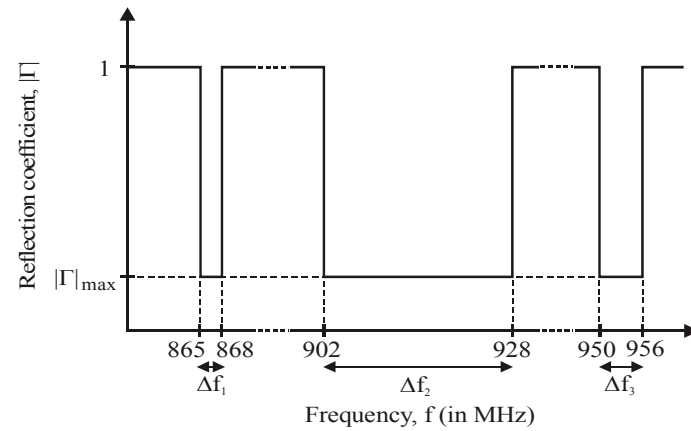
# Bode-Fano Limit (cont)



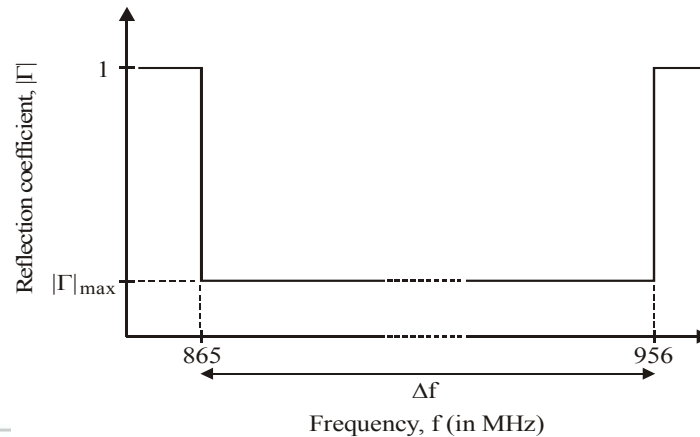
- 3 different cases considered:



(a)



(b)



(c)

# Bode-Fano Limit (cont)



- Assume  $R = 1 \text{ k}\Omega$ ,  $C = 1 \text{ pF}$

Case	Minimum achievable reflection coefficient, $ \Gamma _{\text{inband}}$
1	$4.45 \times 10^{-9}$
2	$6.25 \times 10^{-7}$
3	$4.11 \times 10^{-3}$

- $R = 10 \text{ k}\Omega$ ,  $C = 1 \text{ pF}$  (for less power consuming tag chip in practice)

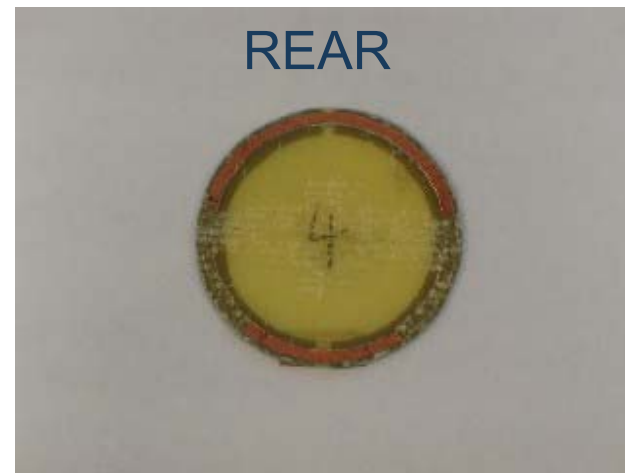
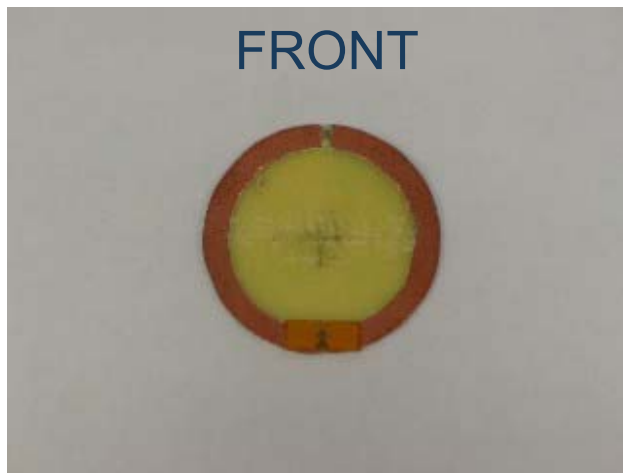
Case	Minimum achievable reflection coefficient, $ \Gamma _{\text{inband}}$
1	0.1462
2	0.2397
3	0.5773



# A Simple RFID Tag



- Consists of a circular loop antenna with a very simple matching network





# → Higher Functionality Tags

Adelaide Auto-ID Laboratory



# Interesting questions

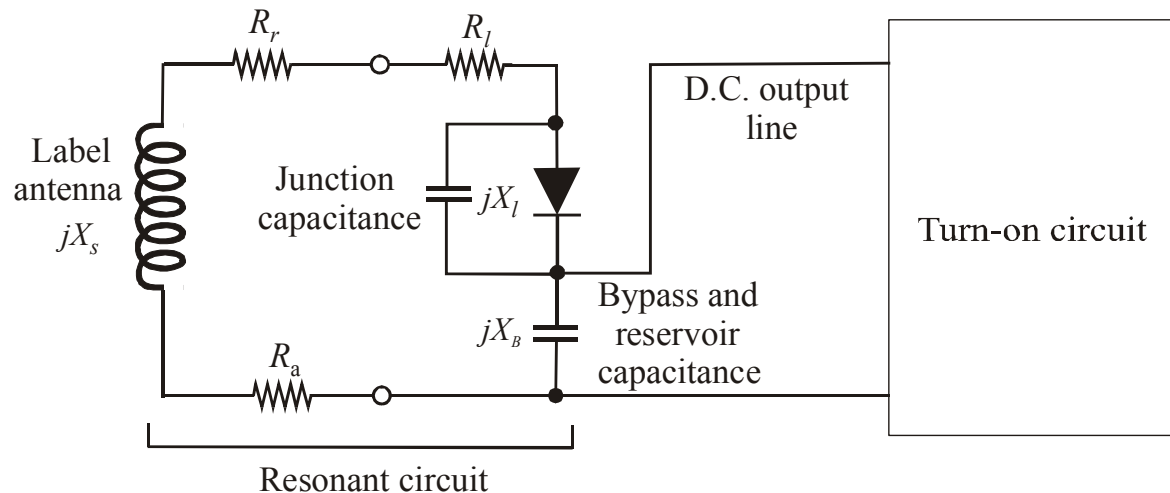


- **Merging of EAS and Data tags**
- **Turning on battery operated tags**
  - Low power consumption
  - Zero power consumption

# → Transmitter operated systems

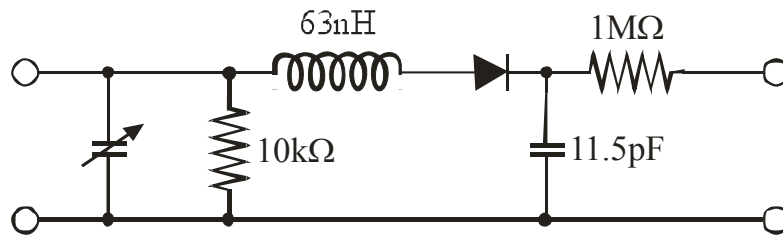


- Some small voltage is generated from transmitted power
- A low power consumption circuit detects that event
- Quality factor issues arise



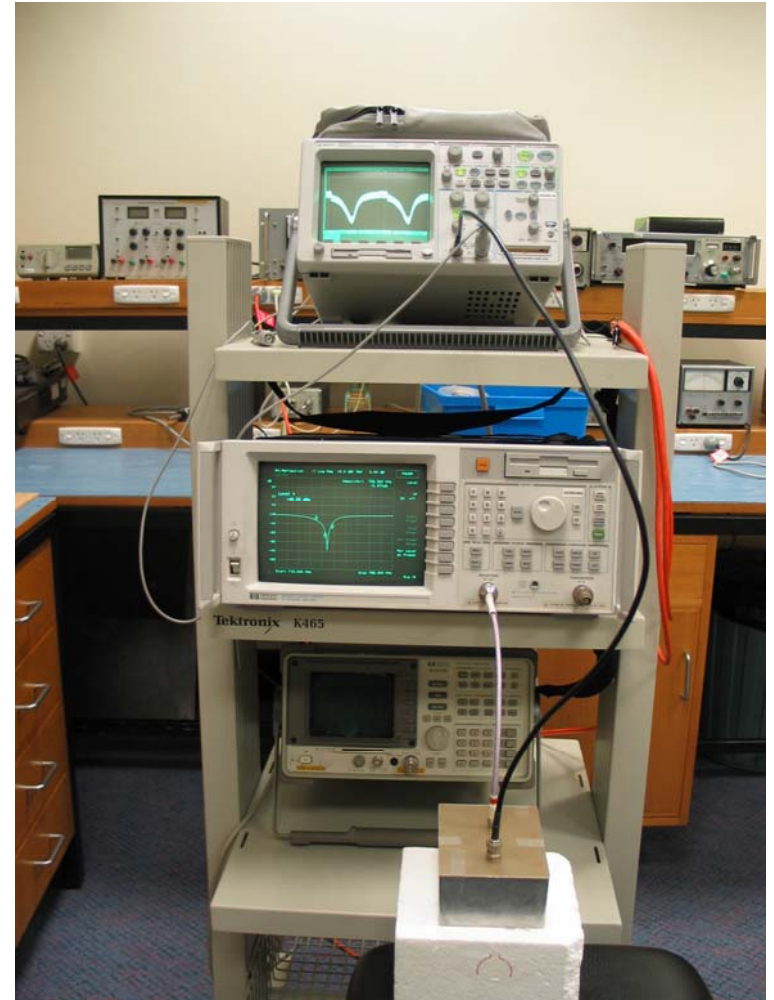


# → Experiments on detuning



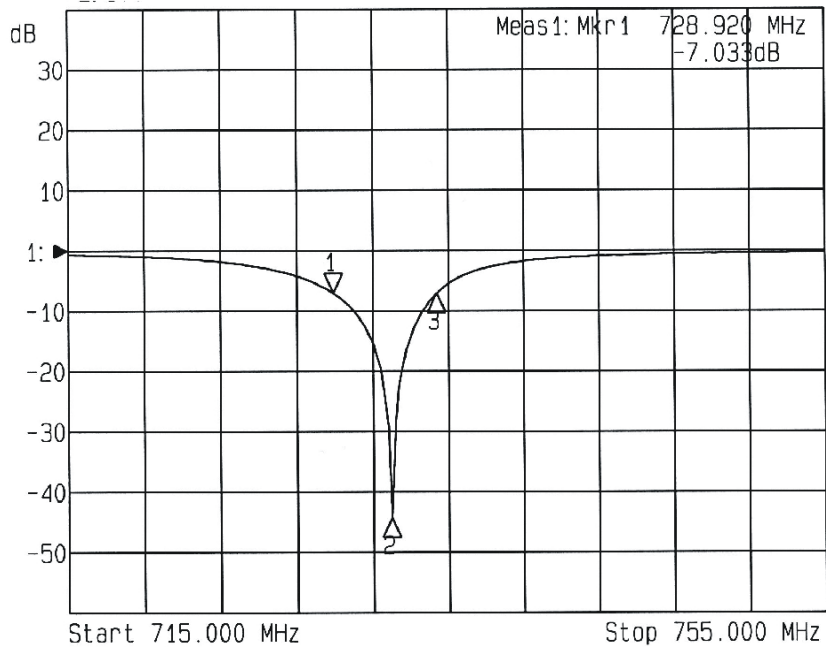
RF IN through an SMA connector

Rectified voltage to Oscilloscope using a BNC connector

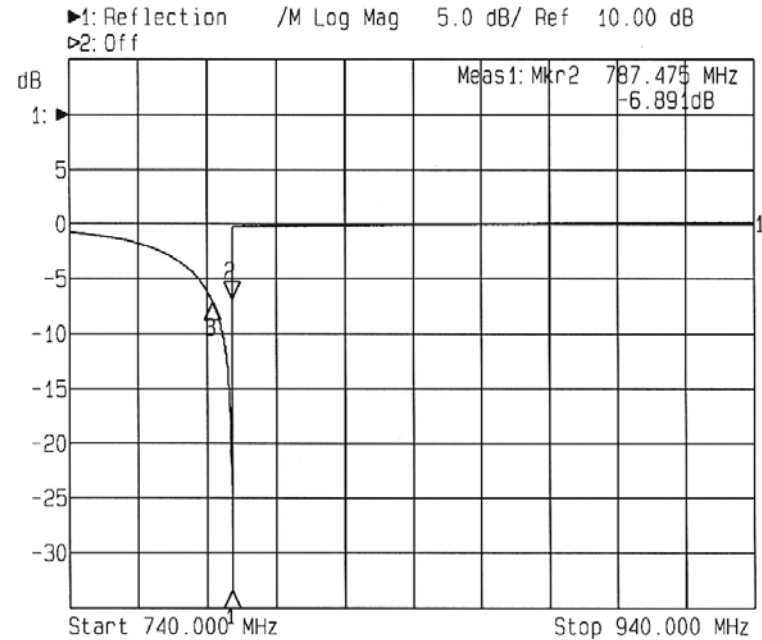




# Low and high power sweeps



1: Mkr (MHz)	dB	2: Mkr (MHz)
1> 728.9200	-7.033	
2: 732.0000	-44.233	
3: 734.4000	-7.071	



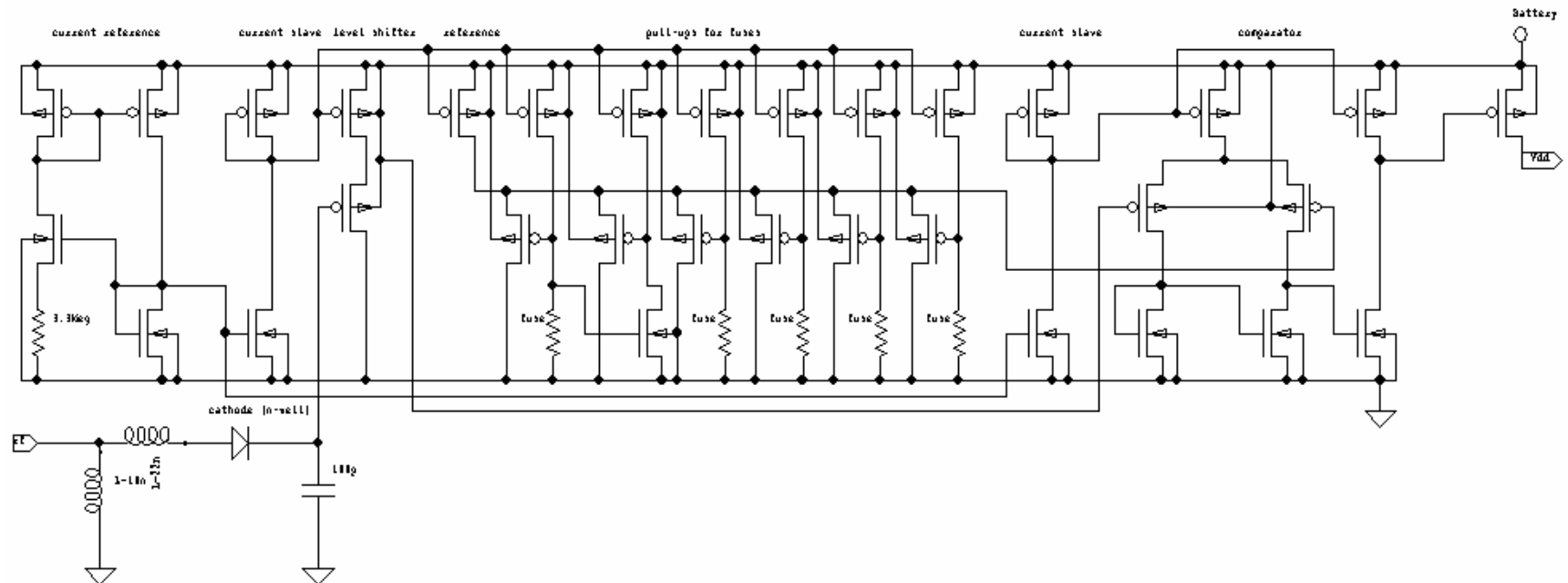
1: Mkr (MHz)	dB	2: Mkr (MHz)	dB
1: 787.3750	-33.317		
2> 787.4750	-6.891		
3: 781.7333	-7.145		



# A low voltage turn on circuit



- Sensitivity about 5 mV
- Power consumption few nA

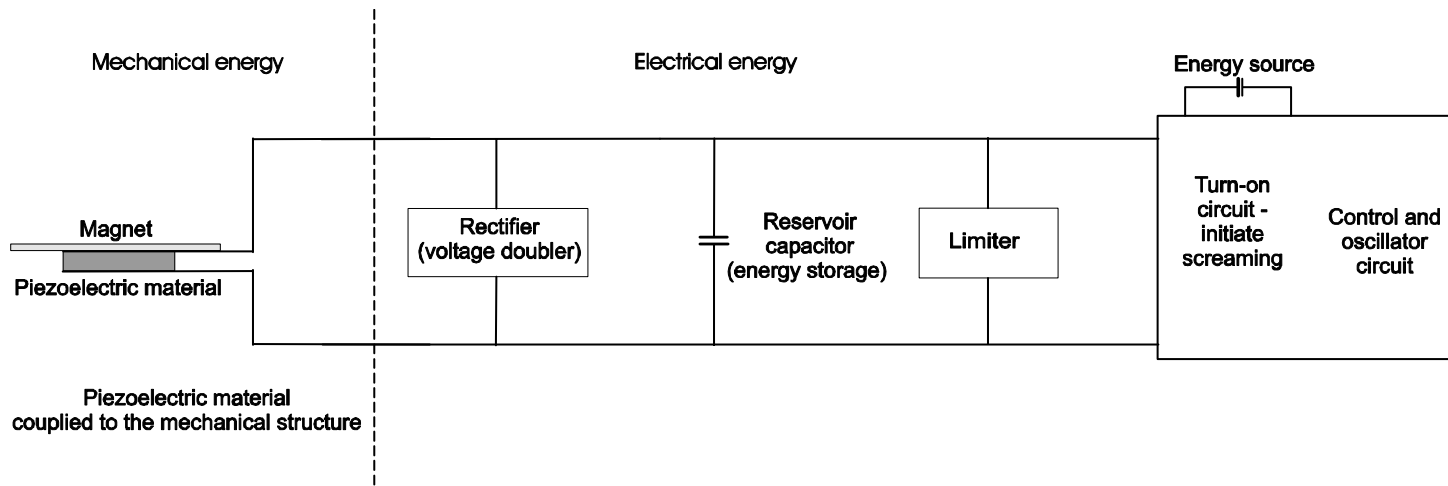




# Zero power turn on concept



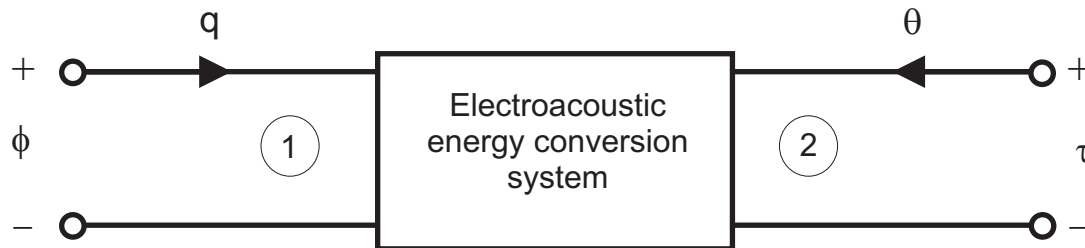
- Low frequency magnetic field vibrates a magnet
- Piezoelectric converter generates about a volt



# → Electroacoustic conversion modelling



- **Variables are**
  - Torque and angular displacement,
  - charge and voltage
- **Electroacoustic parameters for substances known**
- **Parameters for structures are calculated therefrom**



# → Eletroacoustic conversion

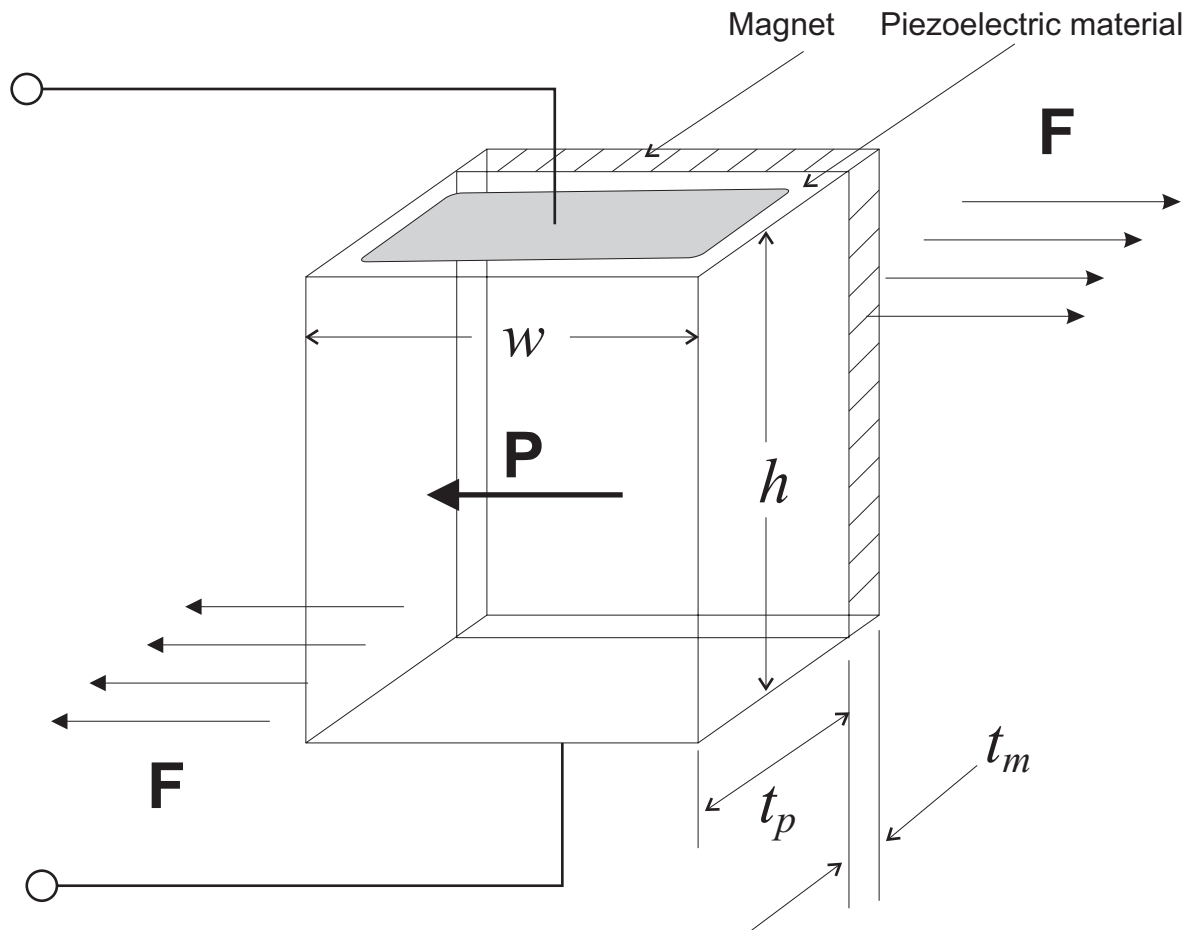


- Structural parameters appear below

$$\begin{bmatrix} q \\ \theta \end{bmatrix} = \begin{bmatrix} C_{11P} & C_{12P} \\ C_{21P} & C_{22P} \end{bmatrix} \begin{bmatrix} \phi \\ \tau \end{bmatrix}$$



# Structure analysed





# Result



- **Turn-on voltage depends on**
  - Driving magnetic field
  - Electroacoustic parameters
  - Some resonance quality factors

$$V_{TO} = \sqrt{k_{eff}^2 Q_m^2 (Mv\mu_0)^2 |H|^2 C_{22S}^2 \frac{1}{C_J C_{22eff}}}$$