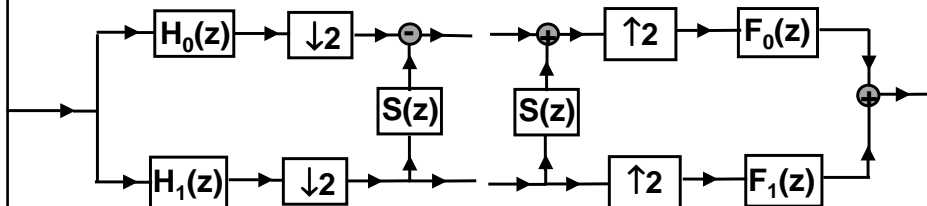


Course 18.327 and 1.130 Wavelets and Filter Banks

**Lifting: ladder structure for filter banks;
factorization of polyphase matrix
into lifting steps; lifting form of
refinement equation**

Lifting

Basic idea:

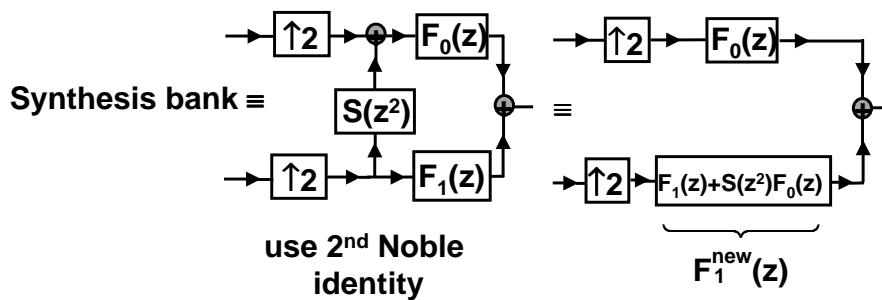


**Filter bank is modified by a simple operation that
preserves the perfect reconstruction property,
regardless of the actual choice for $S(z)$.**

Advantages:

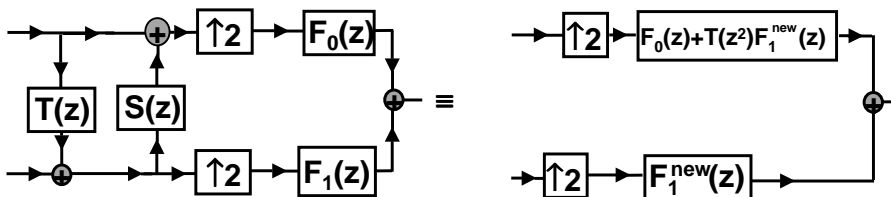
- Leads to faster implementation of DWT
- Provides a framework for constructing wavelets on non-uniform grids.

What are the effective filters in the modified filter bank?



3

So the effective highpass filter is $F_1(z) + S(z^2)F_0(z)$.
The lowpass filter is unchanged. To modify the lowpass filter, add a second lifting step, e.g.



Consider

$$F_1^{\text{new}}(z) = F_1(z) + S(z^2) F_0(z)$$

i.e. $f_1^{\text{new}}[n] = f_1[n] + \sum_k r[k] f_0[n - k]$

where

$$r[k] = \begin{cases} s[k/2] & ; k \text{ even} \\ 0 & ; k \text{ odd} \end{cases}$$

4

$$r[2k] = s[k]$$

$$r[2k + 1] = 0$$

So

$$f_1^{\text{new}}[n] = f_1[n] + \sum_k s[k] f_0[n - 2k]$$

Then the corresponding wavelet is

$$\begin{aligned} w^{\text{new}}(t) &= \sum_n f_1^{\text{new}}[n] \phi(2t - n) \\ &= \sum_n f_1[n] \phi(2t - n) + \sum_k s[k] \sum_n f_0[n - 2k] \phi(2t - n) \\ &= w(t) + \sum_k s[k] \sum_\ell f_0[\ell] \phi(2t - 2k - \ell) \\ &= w(t) + \sum_k s[k] \phi(t - k) \quad \text{since } \phi(t) = \sum_\ell f_0[\ell] \phi(2t - \ell) \end{aligned}$$

5

Lifting for wavelet bases

- Lifting construction can be used to build a more complex set of scaling functions and wavelets from an initial biorthogonal set.

e.g. lifting step $S(z)$ gives

$$\phi^{\text{new}}(t) = \phi(t) \quad (f_0[n] \text{ unchanged})$$

$$w^{\text{new}}(t) = w(t) - \sum_k s[k] \phi(t - k)$$

$$\tilde{\phi}^{\text{new}}(t) = \sum_n h_0[n] \tilde{\phi}^{\text{new}}(2t - n) + \sum_k s[k] \tilde{w}^{\text{new}}(t - k)$$

$$\tilde{w}^{\text{new}}(t) = \sum_n h_1[n] \tilde{\phi}^{\text{new}}(2t - n) \quad (h_1[n] \text{ unchanged})$$

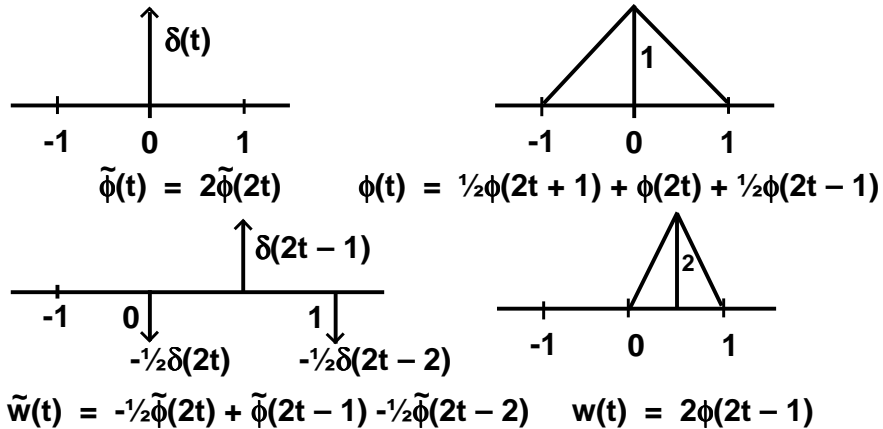
6

Example:

$$H_0(z) = \sqrt{2} \quad F_0(z) = \sqrt{2} \{ \frac{1}{4}z + \frac{1}{2} + \frac{1}{4}z^{-1} \}$$

$$H_1(z) = \sqrt{2} \{ -\frac{1}{4} + \frac{1}{2}z - \frac{1}{4}z^2 \} \quad F_1(z) = \sqrt{2} z^{-1}$$

Scaling functions and wavelets are



Biorthogonality/PR conditions are easy to verify, but what about zeros at π ?

$F_0(z)$ has double zero at π

$H_0(z)$ has no zeros at $\pi \rightarrow$ bad

i.e. $w(t)$ has no vanishing moments

Lifting step to add vanishing moments to the synthesis wavelet:

Suppose that the new wavelet has the form

$$w^{\text{new}}(t) = w(t) - \alpha \phi(t) - \alpha \phi(t-1)$$

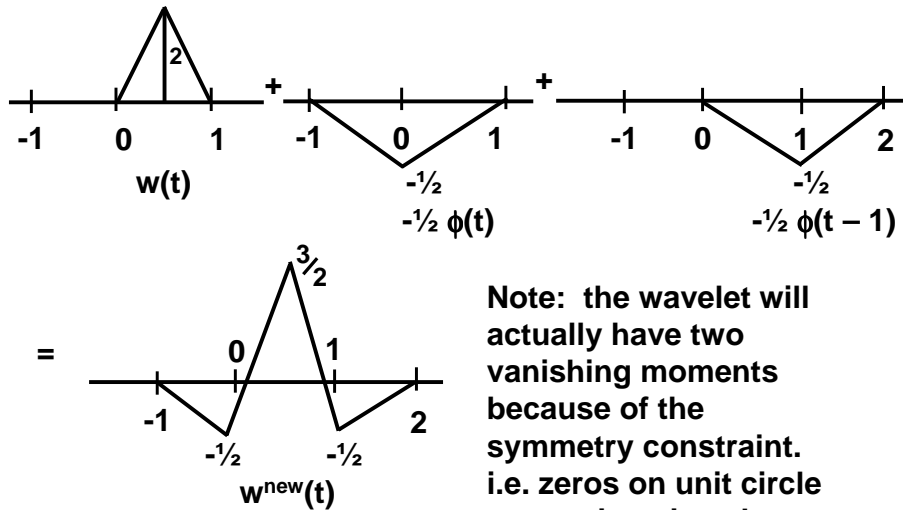
Goal is to make the zeroth moment vanish

$$\int_{-\infty}^{\infty} w^{\text{new}}(t) dt = \frac{1}{2} \cdot 1 \cdot 2 - \alpha \cdot 1 - \alpha \cdot 1$$

$$= 0 \text{ when } \alpha = \frac{1}{2}$$

8

So the new wavelet is



Note: the wavelet will actually have two vanishing moments because of the symmetry constraint. i.e. zeros on unit circle appear in pairs when filter is symmetric.

What is $F_1^{new}(z)$?

New wavelet equation is

$$\begin{aligned}
 w^{new}(t) &= w(t) - \frac{1}{2} \phi(t) - \frac{1}{2} \phi(t - 1) \\
 &= 2\phi(2t - 1) - \frac{1}{2} \{ \frac{1}{2} \phi(2t + 1) + \phi(2t) + \frac{1}{2} \phi(2t - 1) \} \\
 &\quad - \frac{1}{2} \{ \frac{1}{2} \phi(2t - 1) + \phi(2t - 2) + \frac{1}{2} \phi(2t - 3) \} \\
 &= -\frac{1}{4} \phi(2t+1) - \frac{1}{2} \phi(2t) + \frac{3}{2} \phi(2t-1) - \frac{1}{2} \phi(2t - 2) - \frac{1}{4} \phi(2t-3)
 \end{aligned}$$

So

$$F_1^{new}(z) = \sqrt{2} \{ -\frac{1}{8}z - \frac{1}{4} + \frac{3}{4}z^{-1} - \frac{1}{4}z^{-2} - \frac{1}{8}z^{-3} \}$$

This can be rewritten as

$$F_1^{new}(z) = \sqrt{2} \left\{ \underset{\uparrow}{z^{-1}} + \underset{\uparrow}{\frac{-(1+z^2)}{2}} \left(\underset{\uparrow}{\frac{1}{4}z} + \frac{1}{2} + \frac{1}{4}z^{-1} \right) \right\}$$

$F_1(z)$ $S(z^2)$ $F_0(z)$

The new analysis lowpass filter is

$$H_0^{\text{new}}(z) = \sqrt{2} \left\{ 1 + \frac{(1+z^{-2})}{2} \left(-\frac{1}{4} + \frac{1}{2}z - \frac{1}{4}z^2 \right) \right\}$$

This can be written as

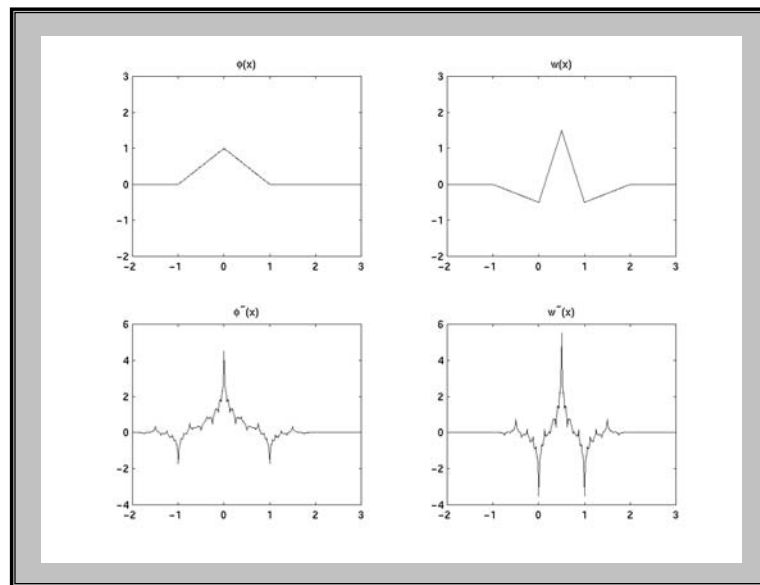
$$H_0^{\text{new}}(z) = \sqrt{2} \cdot \frac{1}{8} (1+z)(1+z^{-1})(-z+4-z^{-1})$$

$$F_0(z) = \sqrt{2} \cdot \frac{1}{4} (1+z)(1+z^{-1})$$

} 5/3 filter bank

11

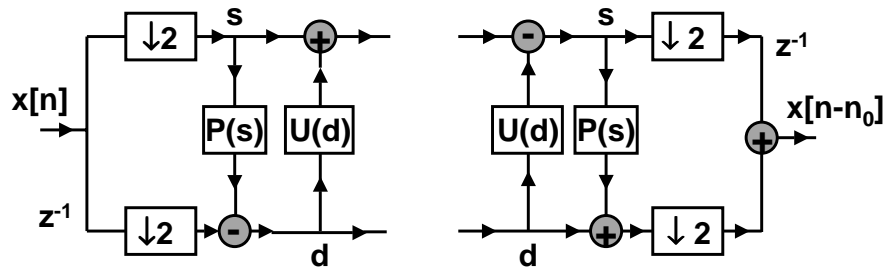
Symmetric 5/3 Wavelets



12

Efficient Implementations

Ladder structure

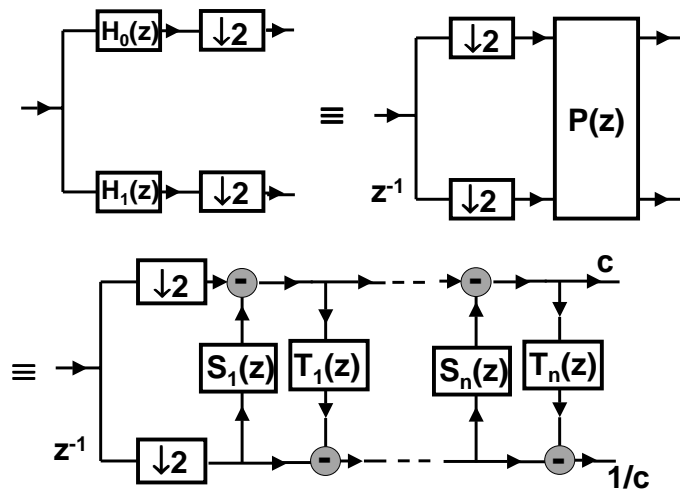


P and U may be nonlinear e.g. truncation to integer

13

Factorization of Filter Bank into Lifting Steps (Daubechies & Sweldens)

Goal is to perform a change of representation of the form:



14

$$P(z) \equiv \begin{bmatrix} H_{0,\text{even}}(z) & H_{0,\text{odd}}(z) \\ H_{1,\text{even}}(z) & H_{1,\text{odd}}(z) \end{bmatrix} = \begin{bmatrix} c & 0 \\ 0 & 1/c \end{bmatrix} \prod_{i=n}^1 \begin{bmatrix} 1 & 0 \\ -T_i(z) & 1 \end{bmatrix} \begin{bmatrix} 1 & -S_i(z) \\ 0 & 1 \end{bmatrix}$$

Approach: use Euclidean algorithm for greatest common divisor

1) Start with

$$A_0(z) = H_{0,\text{even}}(z)$$

$$B_0(z) = H_{0,\text{odd}}(z)$$

2) Then iterate

$$A_i(z) = B_{i-1}(z)$$

$$B_i(z) = A_{i-1}(z) \% B_{i-1}(z) = A_{i-1}(z) - Q_i(z) B_{i-1}(z)$$

remainder operator quotient $\frac{A_{i-1}(z)}{B_{i-1}(z)}$ (non-unique) 15

until $i = n$

$$A_n(z) = c \leftarrow \text{gcd}(H_{0,\text{even}}(z), H_{0,\text{odd}}(z))$$

$$B_n(z) = 0$$

Matrix form of iteration:

$$\begin{bmatrix} A_i(z) & B_i(z) \end{bmatrix} = \begin{bmatrix} A_{i-1}(z) & B_{i-1}(z) \end{bmatrix} \begin{bmatrix} 0 & 1 \\ 1 & -Q_i(z) \end{bmatrix}$$

After n iterations:

$$\begin{bmatrix} c & 0 \end{bmatrix} = \begin{bmatrix} H_{0,\text{even}}(z) & H_{0,\text{odd}}(z) \end{bmatrix} \prod_{i=1}^n \begin{bmatrix} 0 & 1 \\ 1 & -Q_i(z) \end{bmatrix}$$

Invert this result to get

$$\begin{bmatrix} H_{0,\text{even}}(z) & H_{0,\text{odd}}(z) \end{bmatrix} = \begin{bmatrix} c & 0 \end{bmatrix} \prod_{i=n}^1 \begin{bmatrix} Q_i(z) & 1 \\ 1 & 0 \end{bmatrix}$$

16

Suppose that n is even ($n = 2m$).

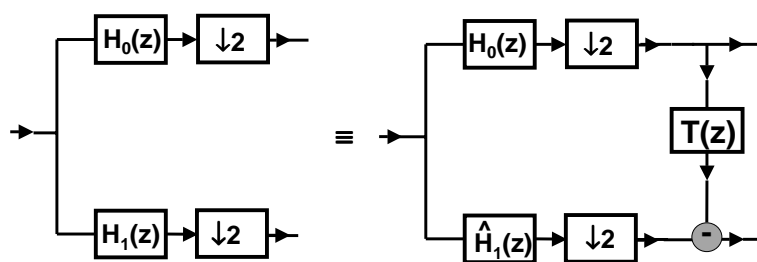
We can obtain a valid polyphase matrix of the form

$$\hat{P}(z) = \begin{bmatrix} c & 0 \\ 0 & 1/c \end{bmatrix} \prod_{i=2m}^1 \begin{bmatrix} Q_i(z) & 1 \\ 1 & 0 \end{bmatrix} \quad \text{Choice } 1/c \text{ ensures that } \det \hat{P}(z) = 1$$

$$= \begin{bmatrix} H_{0,\text{even}}(z) & H_{0,\text{odd}}(z) \\ \hat{H}_{1,\text{even}}(z) & \hat{H}_{1,\text{odd}}(z) \end{bmatrix} \quad \leftarrow \hat{H}_1(z) \text{ gives P. R., but may not be the same as } H_1(z)$$

17

To recover the original highpass filter, $H_1(z)$, from $\hat{H}_1(z)$, we introduce one more lifting step



$$H_1(z) = \hat{H}_1(z) - T(z^2) H_0(z)$$

18

So the polyphase matrix is

$$P(z) = \begin{bmatrix} 1 & 0 \\ -T(z) & 1 \end{bmatrix} \underbrace{\begin{bmatrix} c & 0 \\ 0 & 1/c \end{bmatrix} \prod_{i=2m}^1 \begin{bmatrix} Q_i(z) & 1 \\ 1 & 0 \end{bmatrix}}_{\hat{P}(z)}$$

$$= \begin{bmatrix} c & 0 \\ 0 & 1/c \end{bmatrix} \begin{bmatrix} 1 & 0 \\ -c^2 T(z) & 1 \end{bmatrix} \prod_{k=m}^1 \begin{bmatrix} Q_{2k}(z) & 1 \\ 1 & 0 \end{bmatrix} \begin{bmatrix} Q_{2k-1}(z) & 1 \\ 1 & 0 \end{bmatrix}$$

Rewrite each factor as a permutation of columns or rows

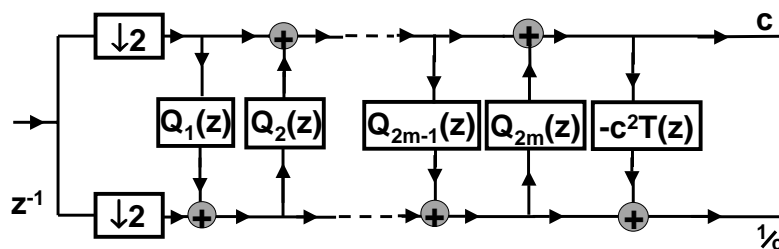
$$\begin{bmatrix} Q_{2k}(z) & 1 \\ 1 & 0 \end{bmatrix} \begin{bmatrix} Q_{2k-1}(z) & 1 \\ 1 & 0 \end{bmatrix} = \begin{bmatrix} 1 & Q_{2k}(z) \\ 0 & 1 \end{bmatrix} \begin{bmatrix} 0 & 1 \\ 1 & 0 \end{bmatrix} \begin{bmatrix} 0 & 1 \\ 1 & 0 \end{bmatrix} \begin{bmatrix} 1 & 0 \\ Q_{2k-1}(z) & 1 \end{bmatrix}$$

$$= \begin{bmatrix} 1 & Q_{2k}(z) \\ 0 & 1 \end{bmatrix} \begin{bmatrix} 1 & 0 \\ Q_{2k-1}(z) & 1 \end{bmatrix}$$

19

So

$$P(z) = \begin{bmatrix} c & 0 \\ 0 & 1/c \end{bmatrix} \begin{bmatrix} 1 & 0 \\ -c^2 T(z) & 1 \end{bmatrix} \prod_{k=m}^1 \begin{bmatrix} 1 & Q_{2k}(z) \\ 0 & 1 \end{bmatrix} \begin{bmatrix} 1 & 0 \\ Q_{2k-1}(z) & 1 \end{bmatrix}$$



20

Example: Haar

$$H_0(z) = \frac{1}{\sqrt{2}} (1 + z^{-1}) \quad H_1(z) = \frac{1}{\sqrt{2}} (1 - z^{-1})$$

$$A_0(z) = H_{0,\text{even}}(z) = \frac{1}{\sqrt{2}}$$

$$B_0(z) = H_{0,\text{odd}}(z) = \frac{1}{\sqrt{2}}$$

$$A_1(z) = B_0(z) = \frac{1}{\sqrt{2}} = c$$

$$B_1(z) = A_0(z) \% B_0(z) = 0$$

$$Q_1(z) = A_0(z) / B_0(z) = 1$$

$$\hat{P}(z) = \begin{bmatrix} 1/\sqrt{2} & 0 \\ 0 & \sqrt{2} \end{bmatrix} \begin{bmatrix} 1 & 1 \\ 1 & 0 \end{bmatrix}$$

$$= \frac{1}{\sqrt{2}} \begin{bmatrix} 1 & 1 \\ 2 & 0 \end{bmatrix}$$

21

$$\hat{H}_1(z) = \frac{2}{\sqrt{2}}$$

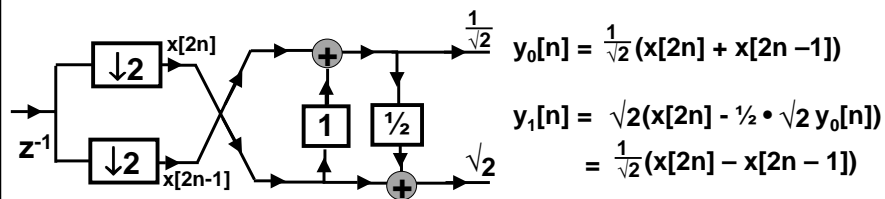
$$H_1(z) = \hat{H}_1(z) - T(z^2) H_0(z)$$

$$\frac{1}{\sqrt{2}} (1 - z^{-1}) = \frac{2}{\sqrt{2}} - T(z^2) \frac{1}{\sqrt{2}} (1 + z^{-1})$$

i.e. $T(z^2) = 1$

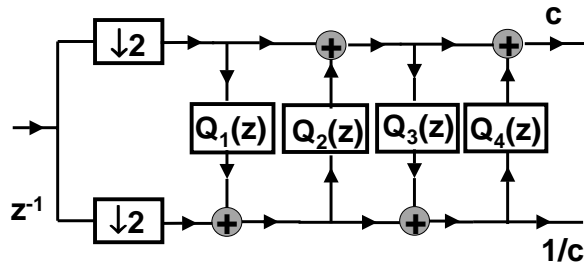
$$P(z) = \begin{bmatrix} \frac{1}{\sqrt{2}} & 0 \\ 0 & \sqrt{2} \end{bmatrix} \begin{bmatrix} 1 & 0 \\ -1/2 & 1 \end{bmatrix} \begin{bmatrix} 1 & 1 \\ 1 & 0 \end{bmatrix}$$

$$= \begin{bmatrix} \frac{1}{\sqrt{2}} & 0 \\ 0 & \sqrt{2} \end{bmatrix} \begin{bmatrix} 1 & 0 \\ -1/2 & 1 \end{bmatrix} \begin{bmatrix} 1 & 1 \\ 0 & 1 \end{bmatrix} \begin{bmatrix} 0 & 1 \\ 1 & 0 \end{bmatrix}$$



22

Factorization for 9/7 filter bank



$$Q_1(z) = \alpha(1+z)$$

$$\alpha = -1.586134342$$

$$Q_2(z) = \beta(1+z^{-1})$$

$$\beta = -0.05298011854$$

$$Q_3(z) = \gamma(1+z)$$

$$\gamma = 0.8829110762$$

$$Q_4(z) = \delta(1+z^{-1})$$

$$\delta = 0.4435068522$$

$$c = 1.149604398$$